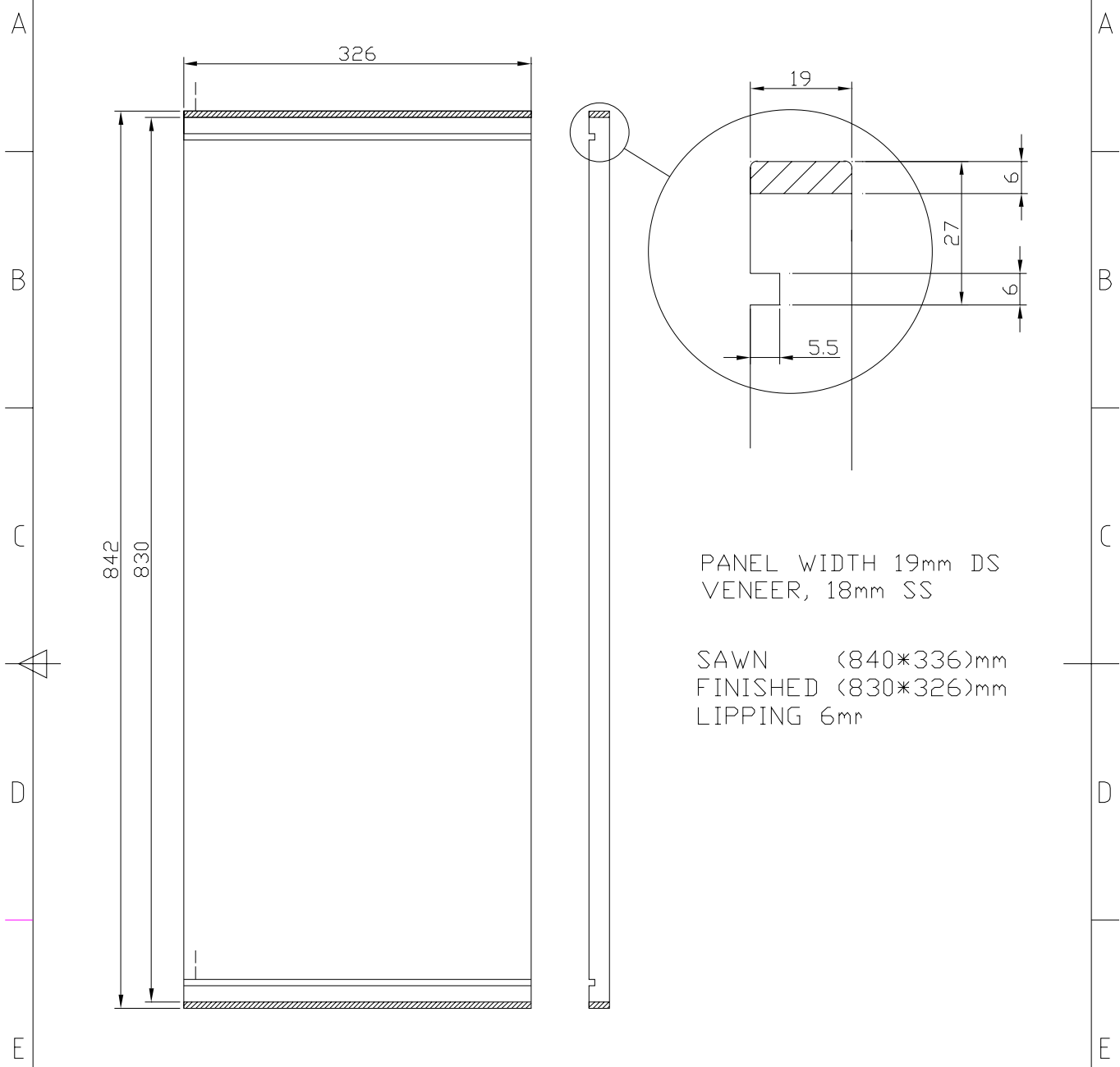


1	2	3	4
RevNo	Revision note	Date	Signature
			Checked



PANEL WIDTH 19mm DS
VENEER, 18mm SS

SAWN (840*336)mm
FINISHED (830*326)mm
LIPPING 6mm

Itemref	Quantity	Title/Name, designation, material, dimension etc			Article No./Reference	
Designed by B. J. Adams	Checked by	Approved by - date	Filename See below	Date 23/03/2001	Scale NONE	
QTA SYSTEMS			TL1/2 SIDE PANELS			
			MFACTTL12_2.DWG	REV 00	SHEET 6/11	