

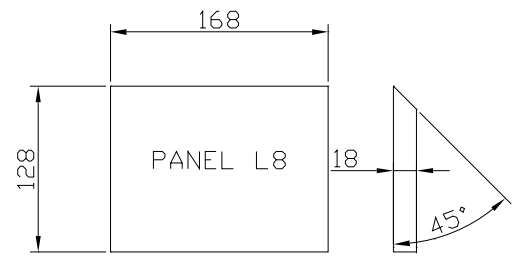
1	2	3	4
RevNo	Revision note	Date	Signature
			Checked

A

A

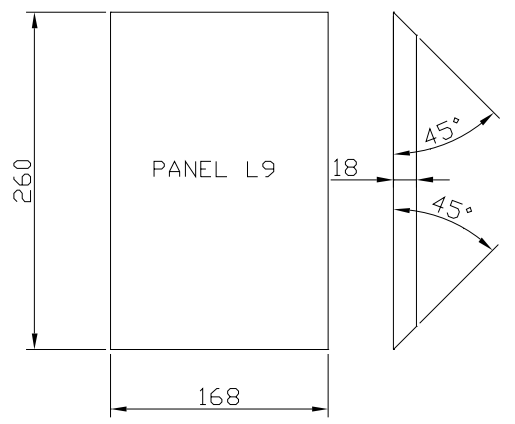
B

B



C

C



D

D

E

E

F

F

Itemref	Quantity	Title/Name, designation, material, dimension etc			Article No./Reference	
Designed by B. J. Adams	Checked by	Approved by - date	Filename See below	Date 29/03/01	Scale NONE	
QTA SYSTEMS			TL1/2 SMALL PANEL DRAWINGS			
			MFACTTL12_SMP2.DWG	REV 00	SHEET 11/11	

1

4