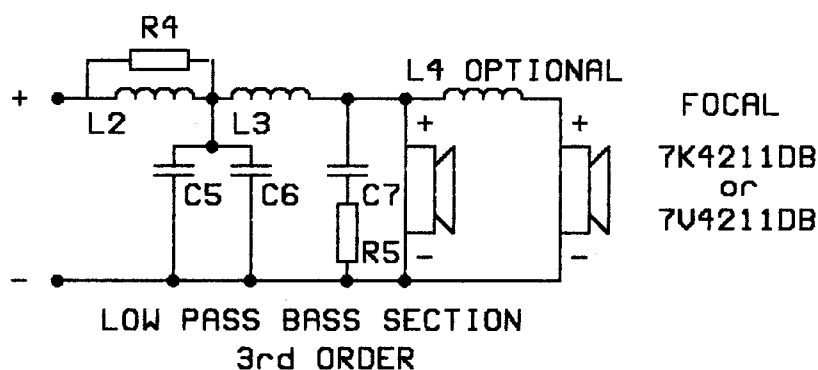
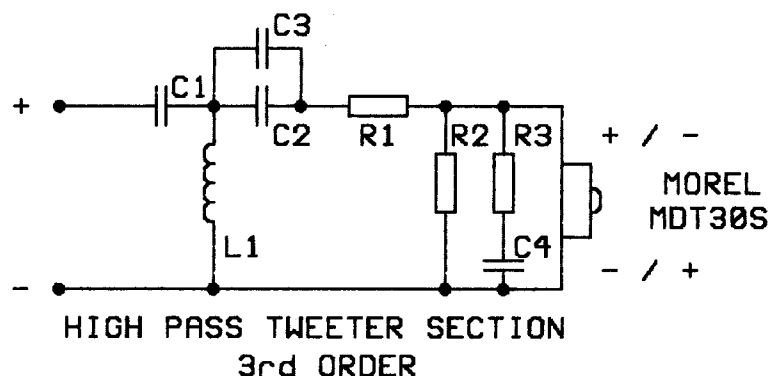


### TL1 CROSSOVER CIRCUIT

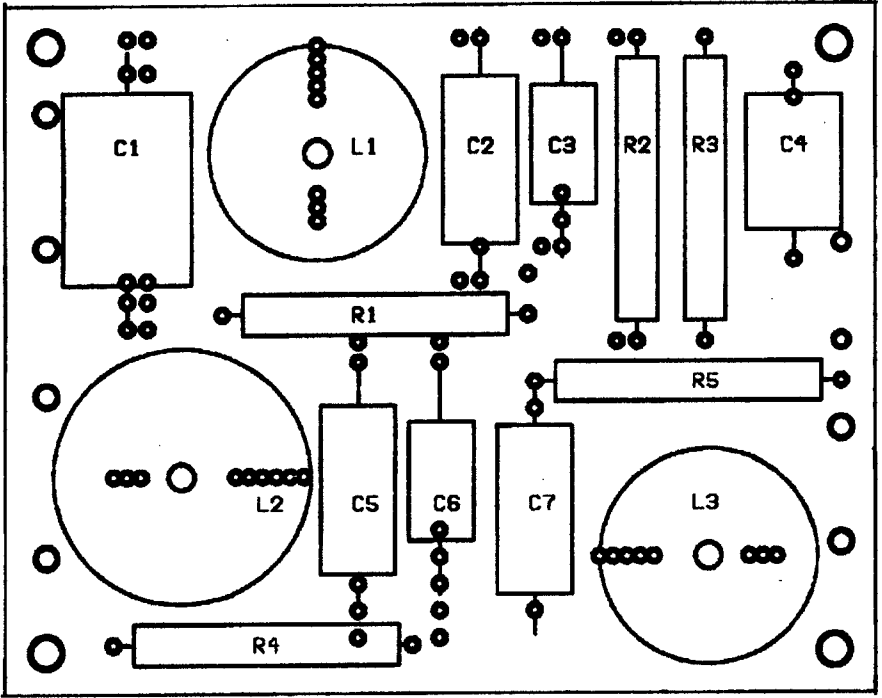


### TL1 CROSSOVER COMPONENT LISTING

Component Rev 03 Comments

R1	0R0	Short Circuit Link
R2	33R	10W WW axial
R3	3R9	10W WW axial
R4	8R2	10W WW axial
R5	6R8	10W WW axial
C1	6u8	Polyprop 400V
C2	20u	Bipolar 50V Low Loss: Alcap or Similar
C3	0u1	Polyprop 630V
C4	3u3	Polyprop 400V
C5	20u	Bipolar 50V Low Loss: Alcap or Similar
C6	0u1	Polyprop 630V Optional
C7	20u	Bipolar 50V Low Loss: Alcap or Similar
L1	0mH35	Wire 1.0mm Diam Air Cored
L2	0mH67	Wire 1.0mm Diam Air Cored
L3	0mH18	Wire 1.2mm Diam Air Cored
L4	0mH80	Optional: Wire Diam 1.0mm Air Cored: Can reduce diffraction loss but at the expense of overall efficiency.

TL1 PCB CROSSOVER COMPONENT LAYOUT



TL1 PCB TRACK VIEWED FROM COMPONENT SIDE

